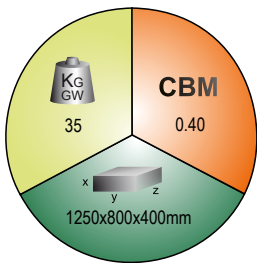


Panel Banner Vidago



Magnetic Panel System. Using straight frames to which graphic panel can be attached by means of magnetic strips.

Components:

- 2 steel round base.
- 2 aluminum pole.
- 4 aluminum case (700x1000mm).
- 2 lights.
- 8 pcs PS panel.
- Connectors.

Material: Aluminium, plastic parts.

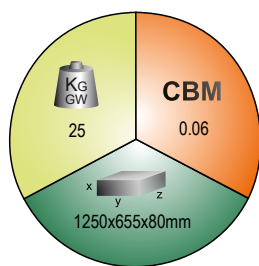
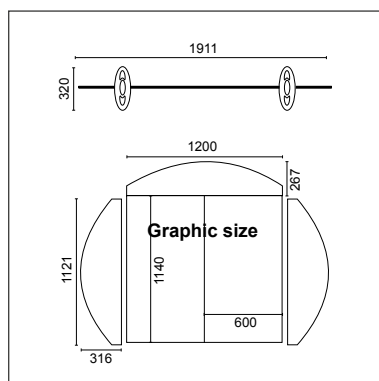


10.430

2100x2000mm



Rennes

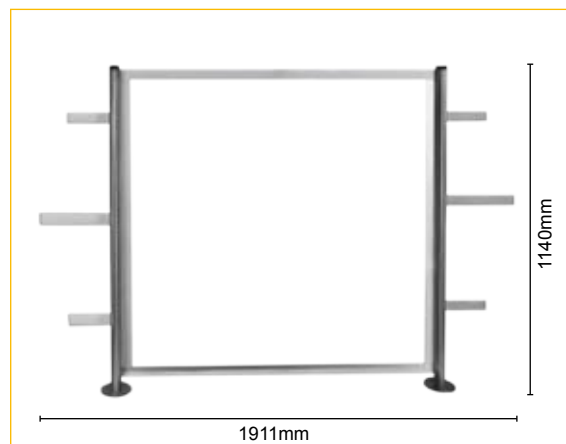


Exhibition table top system smart and stable. This system use form of pictorial graphic, legerity look, simple estructure and easy to install. The system can be use in presentations, marketing events and shows. Printing it's not includes.

Includes:

- Aluminium frame 1200x1140mm.
- Header board.
- Wings (2 units)-(L&R).
- Spotlights (2 units).
- Packing in carton box.

Material: Aluminium.

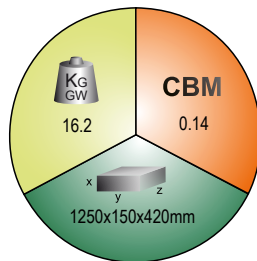
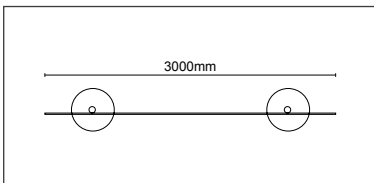


10.107

1911x1407mm



Catania



Portable Display Wall. The framework is made of aluminium. The construction makes it easy and fast to assemble. The system can be used in presentations, marketing events and shows. Printing and graphics it's not included.

Includes:

- Aluminium Profile, Base feet and two spotlight.
- Oxford Cloth bag: 1 unit.

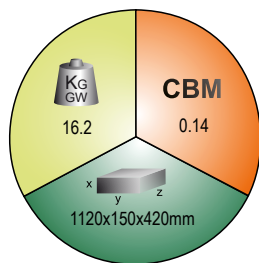
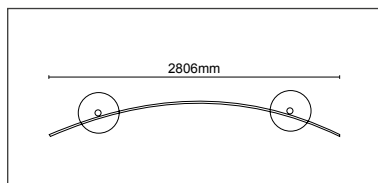
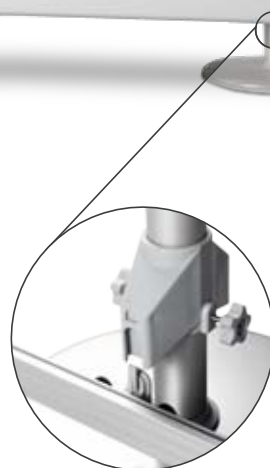
Material: Aluminium, plastic parts.

10.647

3000x2000mm



Perugia



Portable display wall. The framework is made of aluminium. The construction makes it easy and fast to assemble. The system can be used in presentations, marketing events and shows. Printing and graphics it's not includes.

Includes:

- Aluminium profile, Base feet and two spotlight.
- Oxford Cloth bag: 1 unit.

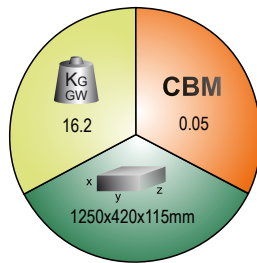
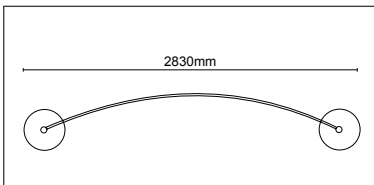
Material: Aluminium, plastic parts.

10.648

3000x2000mm



Rimini



Portable Display Wall. The framework is made of aluminium. The construction makes it easy and fast to assemble. The system can be used in presentations, marketing events and shows. Printing and graphics it's not included.

Includes:

- Aluminium Profile, Base feet, brochure holder and two spotlight.
- Wheeled case: 1 unit.

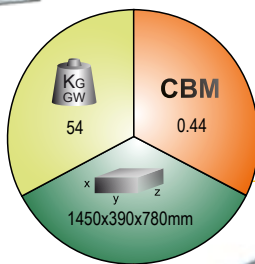
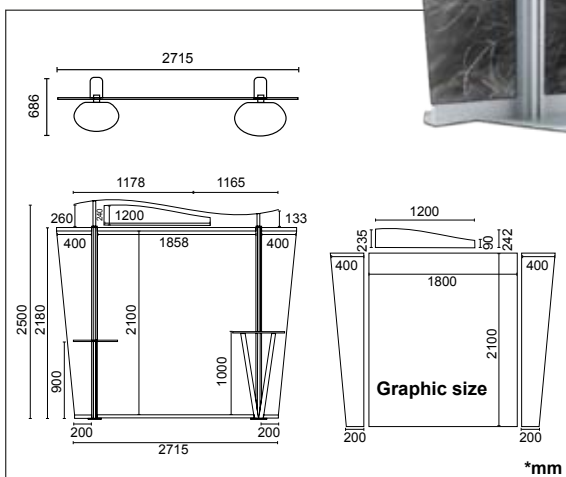
Material: Aluminium, plastic parts.



10.649 2135x738mm x3



Limoges



Exhibition system smart and stable. The system can be use in presentations, marketing events and shows. Easy to install. Printing it's not includes.

Includes:

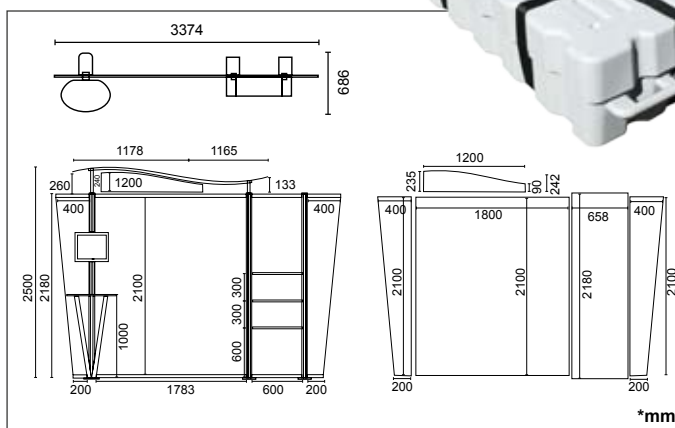
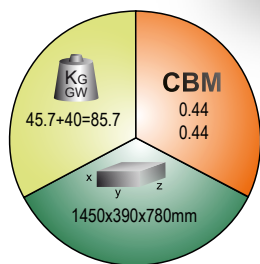
- Aluminium frame 2000x2200mm.
- Header Board.
- Wings (2 units) (L&R).
- Shelves: 1
- "V" Shape Table: 1.
- Spotlights (2 units).
- Plastic Packing Case.

Material: Aluminium, plastic parts.

10.153



Opole



Exhibition system smart and stable. The system can be use in presentations, marketing events and shows. Easy to install. Printing it's not includes. TV not includes.

Includes:

- Aluminium frame 2850x2200mm.
- Header Board.
- Wings (2 units) (L&R).
- Shelves: 3.
- "V" Shape Table: 1.
- Spotlights (3 units).
- LCD fixer.
- Plastic Packing Case: 1.

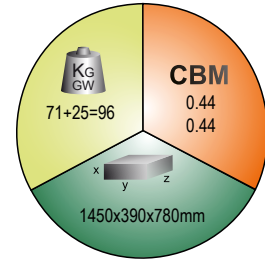
Material: Aluminium, plastic parts.

10.192



*TV not included

Kassel

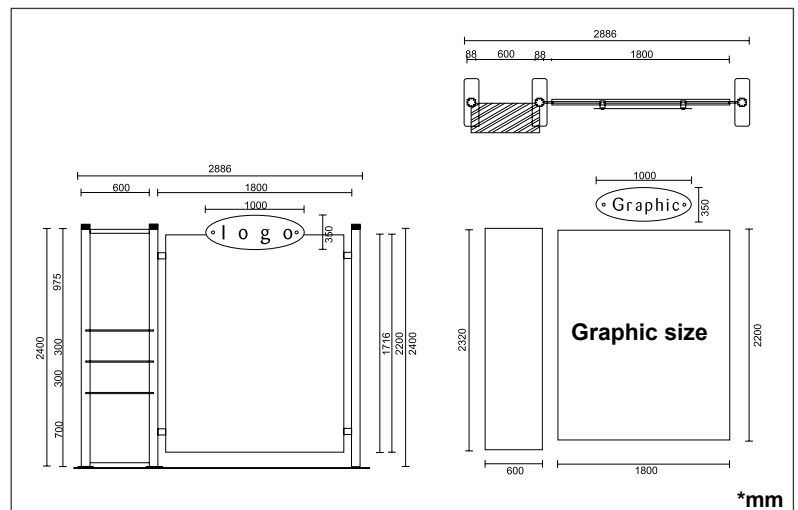


Exhibition system smart and stable. The system can be use in presentations, marketing events and shows. Easy to install. Printing and graphics it's not includes.

Includes:

- Aluminium frame 2824x2400mm.
- Counter.
- Header Board.
- Shelves: 3.
- Spotlights (3 units).
- Plastic Packing Case: 1 units.

Material: Aluminium, plastic parts.

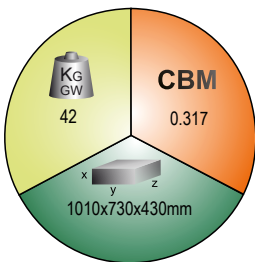
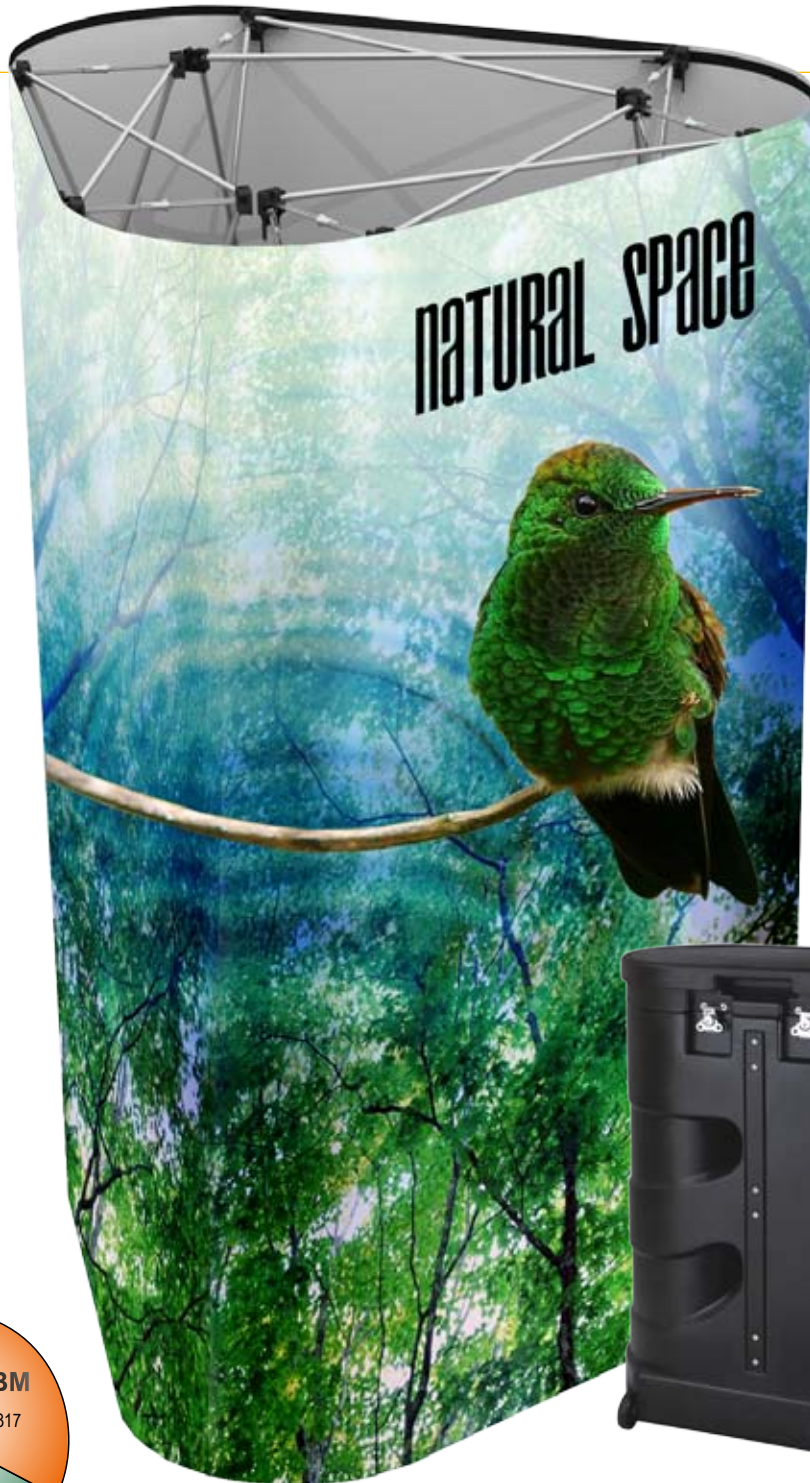


10.364



*mm

Brescia



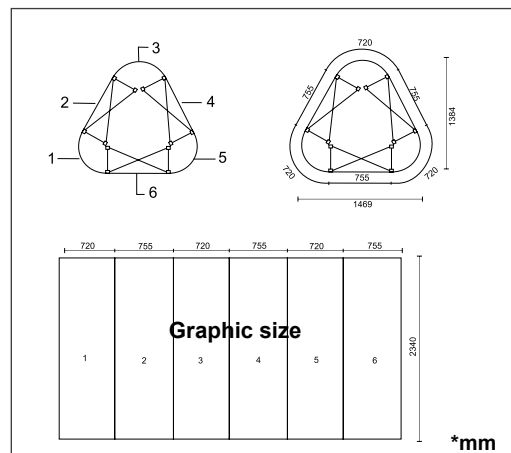
Flexible Pop Up wall system. The framework is made of aluminium. The construction makes it easy and fast to assemble. The system can be use in presentations, marketing events and shows. Printing and graphics it's not includes.

Includes:

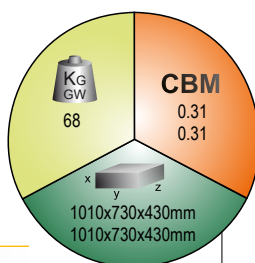
- Pop Up Frame 3x1 straight x 3 sets.
- Corner accesiores: 3.
- Plastic Packing Case: 1 unit.

Material: Aluminium, plastic parts.

10.415



Siena

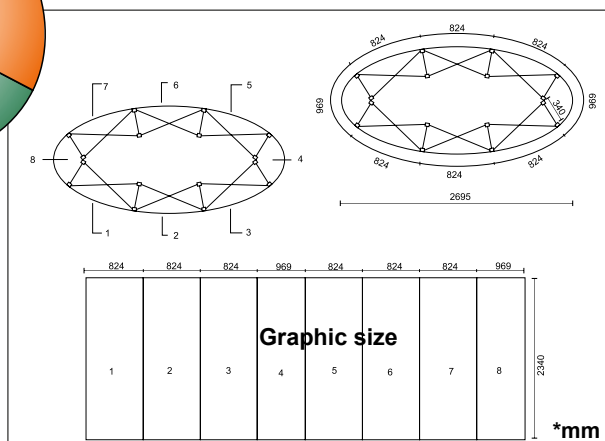


Flexible Pop Up wall system. The framework is made of aluminium. The construction makes it easy and fast to assemble. The system can be use in presentations, marketing events and shows. Printing and graphics it's not includes.

Includes:

- Pop Up Frame 3x3 curve x 2 sets.
- Spotlights: 4 units.
- Plastic Packing Case: 2 units.

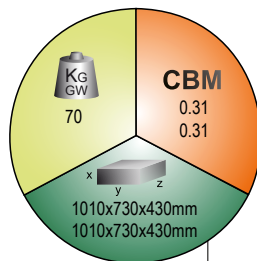
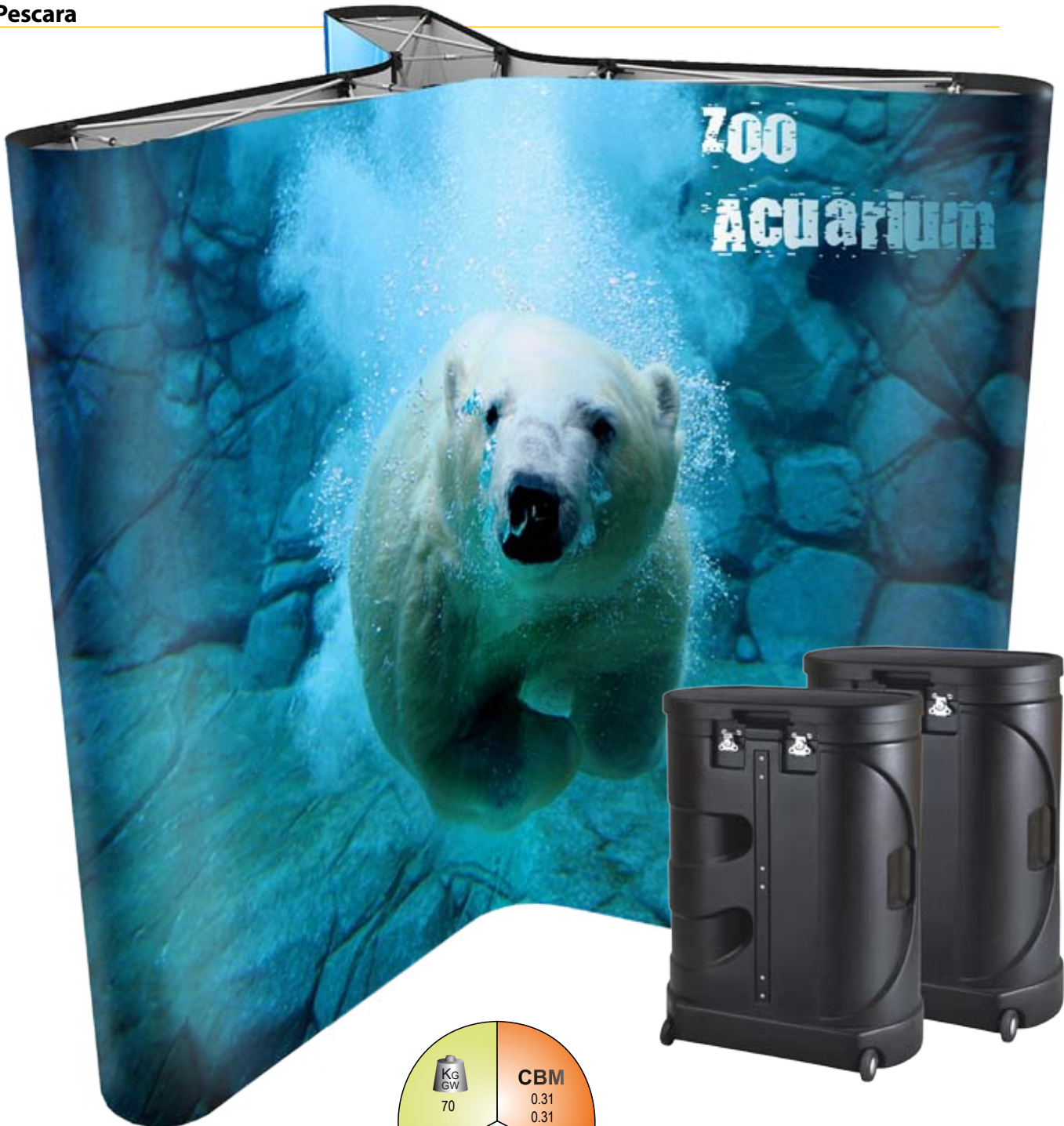
Material: Aluminium, plastic parts.



10.640



Pescara



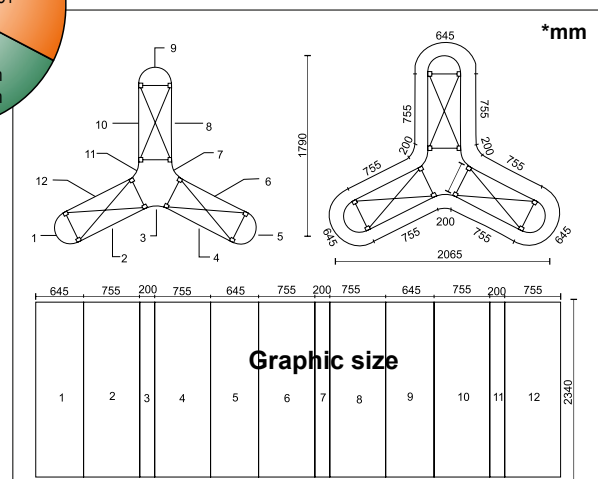
Flexible Pop Up wall system. The framework is made of aluminium. The construction makes it easy and fast to assemble. The system can be use in presentations, marketing events and shows. Printing and graphics it's not includes.

Includes:

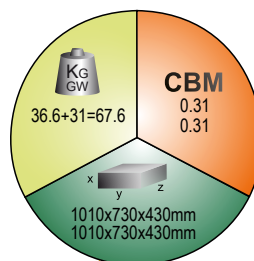
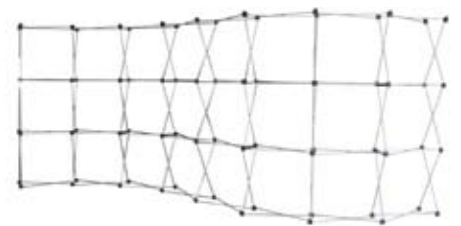
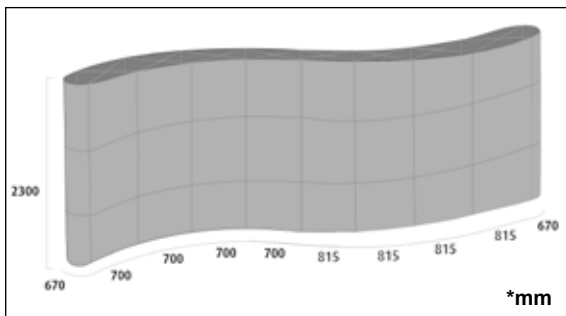
- Pop Up Frame 3x1 straight x 3 sets.
- Corner accesiores: 3.
- Plastic Packing Case: 2 units.

Material: Aluminium, plastic parts.

10.639



Pop-Up Teide 8x3 "S"



Flexible pop-up with structure in "S", double sided. The framework is made of aluminium. The construction makes it easy and fast to assemble the panels with graphics.

Includes:

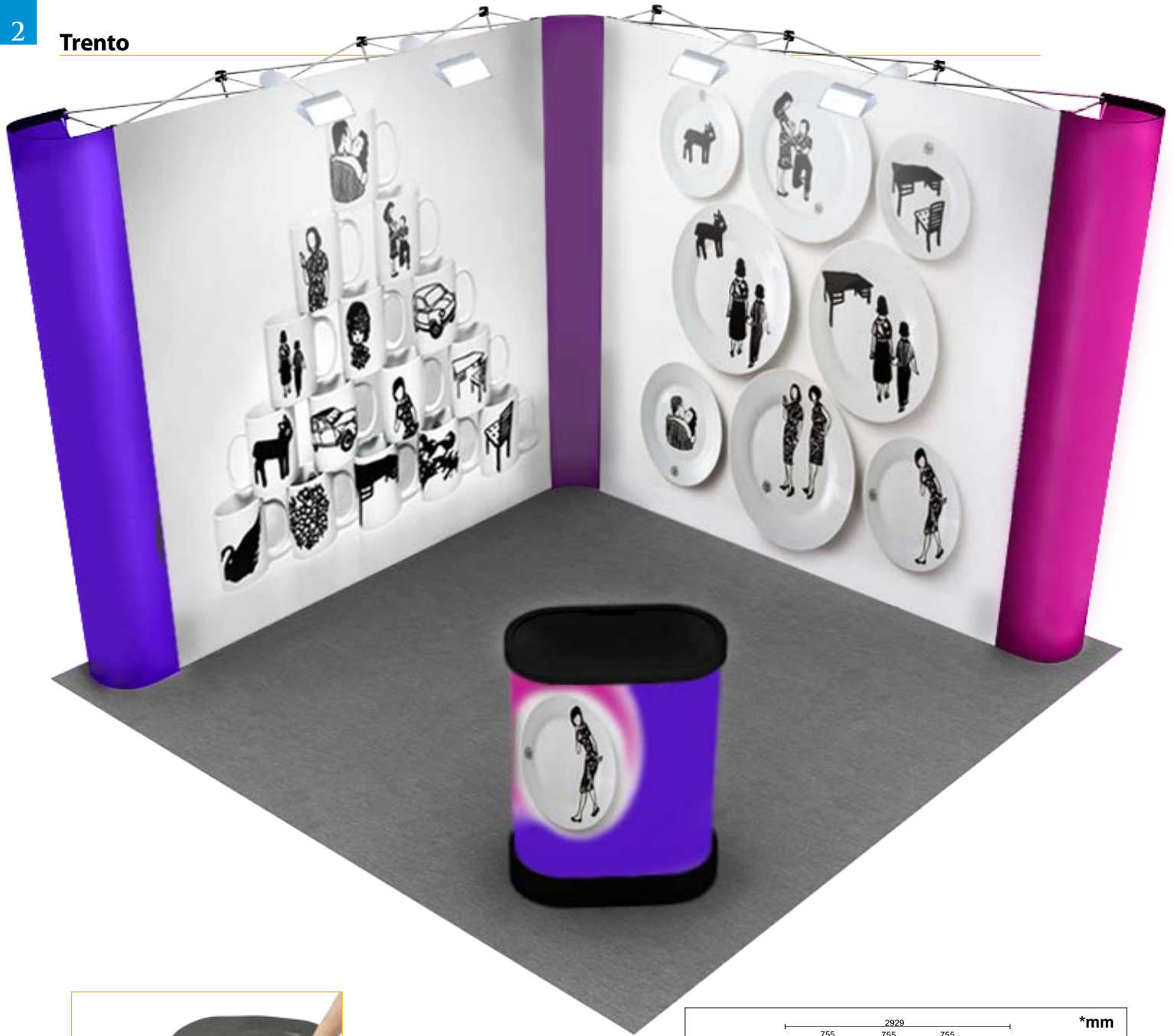
- 2 Hard Trolley carry bag.
- Magnetic Strip Roll.
- Hangers / Magnetics bars.
- 4 Spot Light.

Material: Aluminium, plastic parts.

10.234



Trento

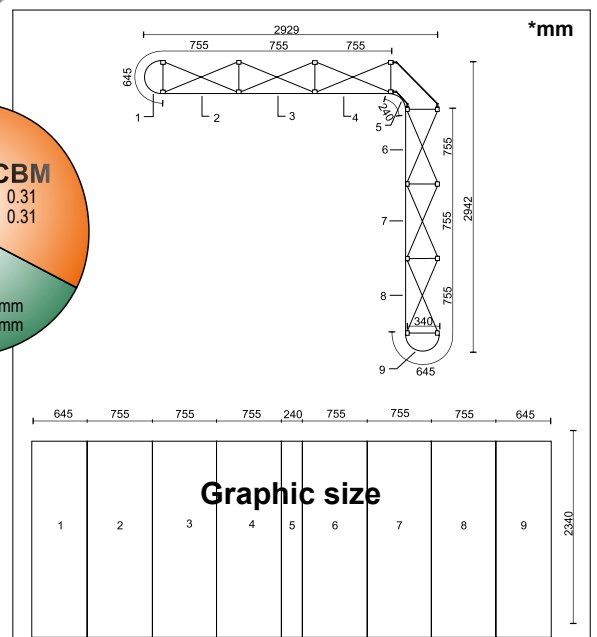
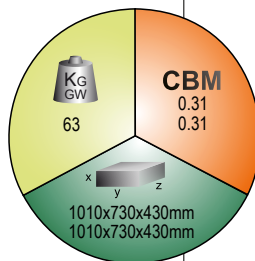


Flexible Pop Up wall system. The framework is made of aluminium. The construction makes it easy and fast to assemble. The system can be use in presentations, marketing events and shows. Printing and graphics it's not includes.

Includes:

- Pop Up Frame 3x3 straight x 2 sets.
- Corner accesiores: 1 set.
- Spotlights: 4 units.
- Plastic Packing Case: 2 units.

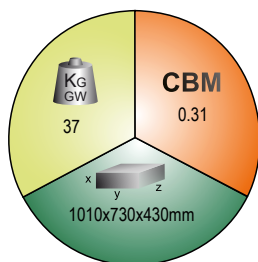
Material: Aluminium, plastic parts.



10.642



Milán

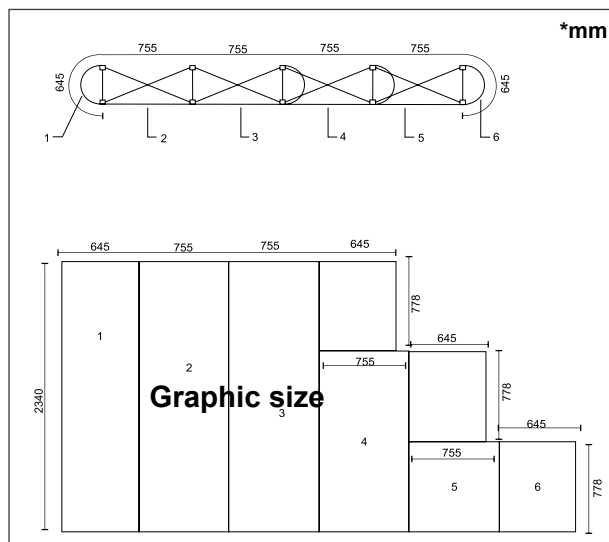


Flexible Pop Up wall system. The framework is made of aluminium. The construction makes it easy and fast to assemble. The system can be use in presentations, marketing events and shows. Printing and graphics it's not includes.

Includes:

- Pop Up Frame 4x3 straight.
- Plastic Packing Case: 1 unit.

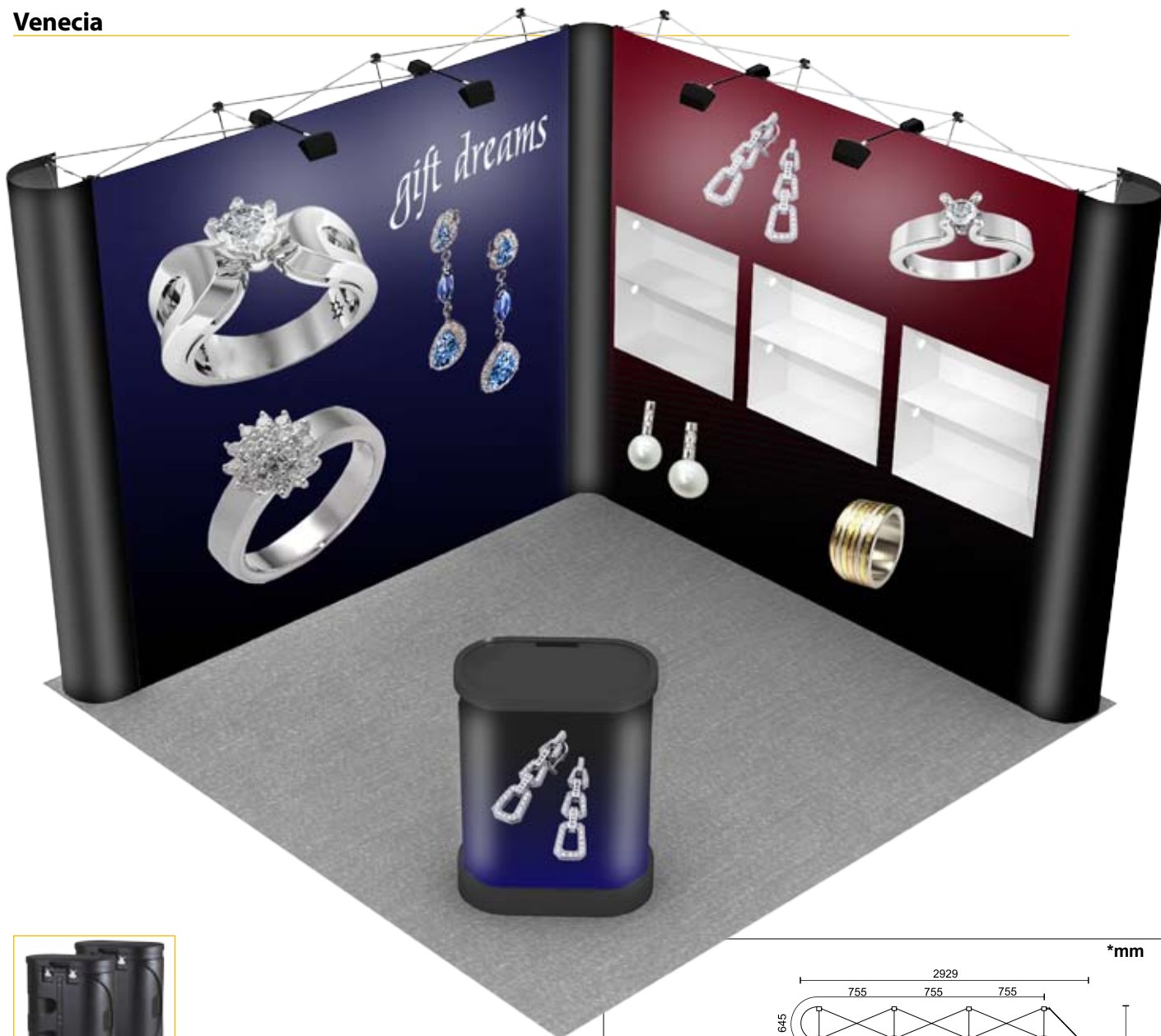
Material: Aluminium, plastic parts.



10.646



Venecia

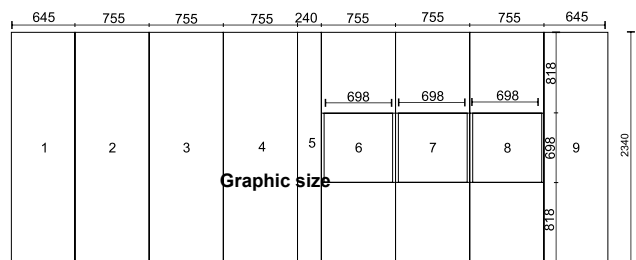
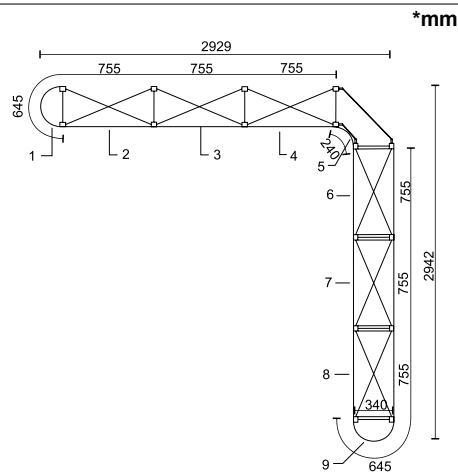
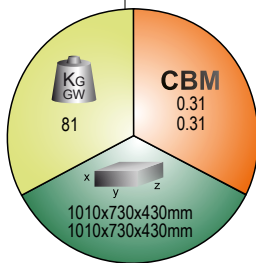


Flexible Pop Up wall system. The framework is made of aluminium. The construction makes it easy and fast to assemble. The system can be use in presentations, marketing events and shows. Printing and graphics it's not includes.

Includes:

- Pop Up Frame 3x3 straight x 2 sets.
- Pop Up Show Window x 3 sets.
- Corner accessoires: 2 set.
- Spotlights: 4 units.
- Plastic Packing Case: 2 units.

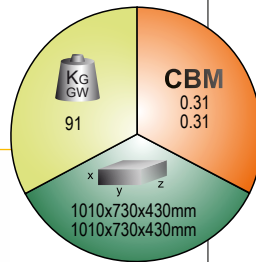
Material: Aluminium, plastic parts.



10.643



Salerno

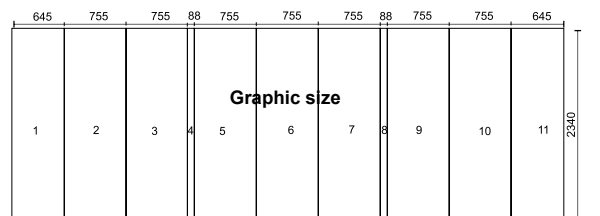
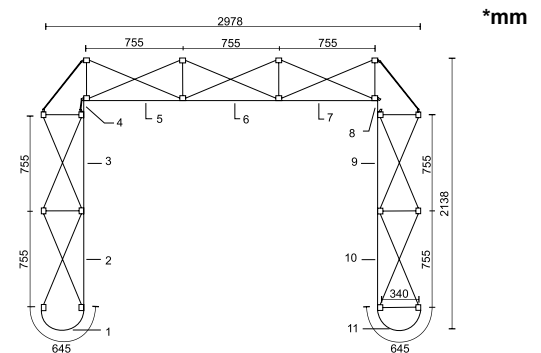


Flexible Pop Up wall system. The framework is made of aluminium. The construction makes it easy and fast to assemble. The system can be use in presentations, marketing events and shows. Printing and graphics it's not includes.

Includes:

- Pop Up Frame 3x3 straight x 1 / 3x2 straight x 2.
- Corner accessoires: 2 set.
- Spotlights: 4 units.
- Plastic Packing Case: 2 units.

Material: Aluminium, plastic parts.



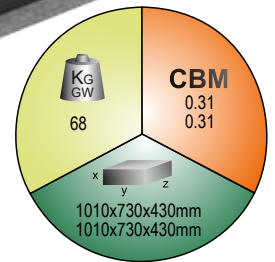
10.641



EXHIBITIONS ITEMS

2

Turin



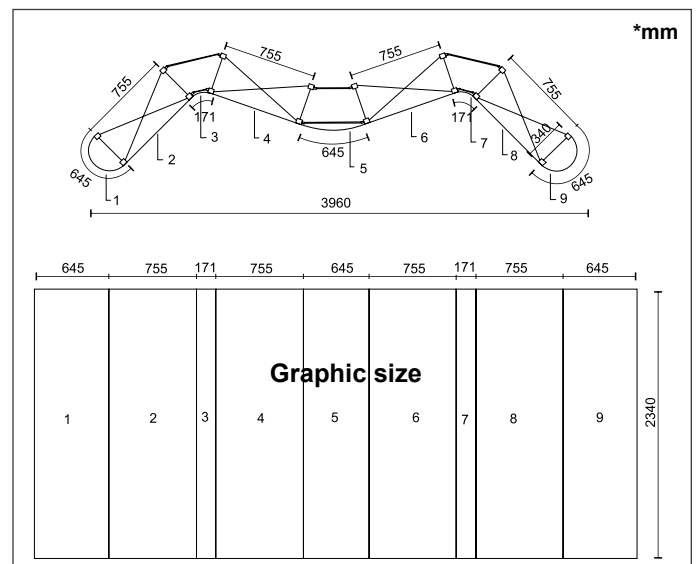
Flexible Pop Up wall system. The framework is made of aluminium. The construction makes it easy and fast to assemble. The system can be use in presentations, marketing events and shows. Printing and graphics it's not includes.

Includes:

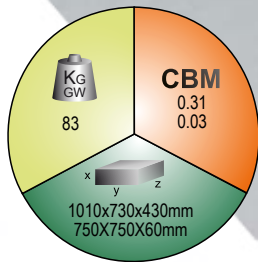
- Pop Up Frame 3x1 straight x 4 sets.
- Corner accesiores: 6 sets.
- Spotlights: 2 units.
- Plastic Packing Case: 2 units.

Material: Aluminium, plastic parts.

10.645



Génova

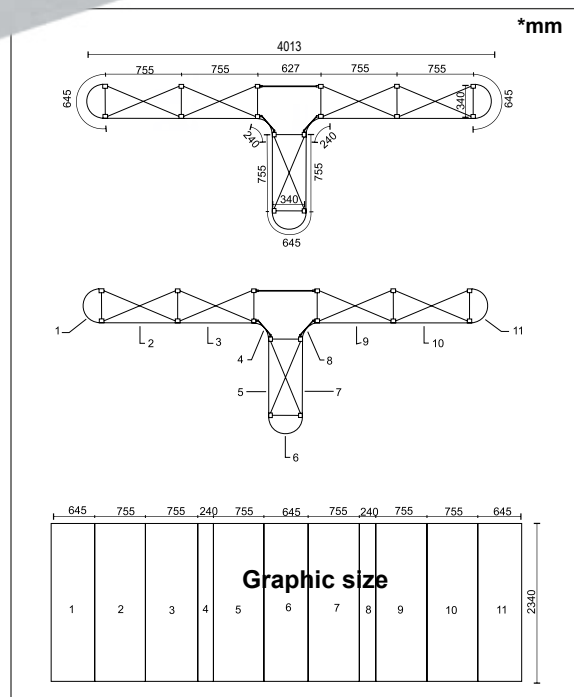


Flexible Pop Up wall system. The framework is made of aluminium. The construction makes it easy and fast to assemble. The system can be use in presentations, marketing events and shows. Printing and graphics it's not includes.

Includes:

- Pop Up Frame 3x3 straight x 1 / Pop Up 3x2 straight x 2.
- Corner accessoires: 3 set.
- Spotlights: 2 units.
- Plastic Packing Case: 2 units.

Material: Aluminium, plastic parts.



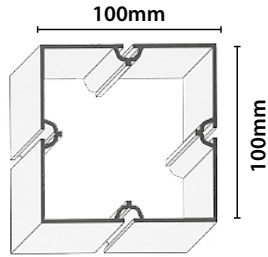
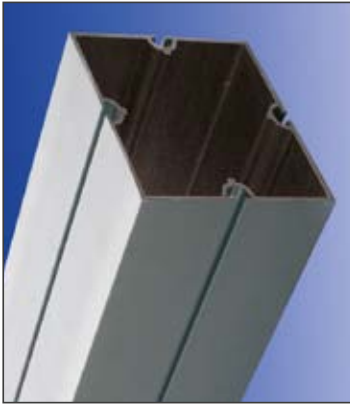
10.644



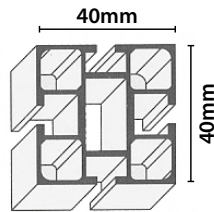
Profile Stand

Aluminium profile for exhibitions stands.

Material: Aluminium.



15.116 **100mm**



15.118 **40mm**



Plastic Pieces for Tension Graphics



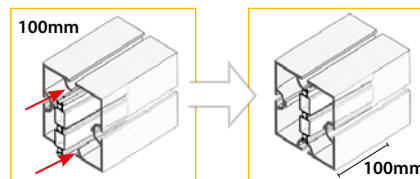
Plastic pieces for tension graphics in profile.

Material: Plastic, steel.



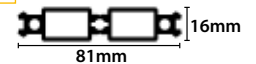
15.723 **Pack 10 Uni.**

Aluminium Connector for Profile 100mm

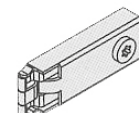
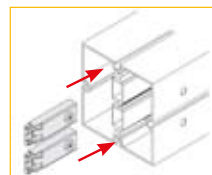


For 100mm profile you must use 2 locks and 1 for 40mm profile.

Material: Aluminium.



15.117 **Conector 100mm**

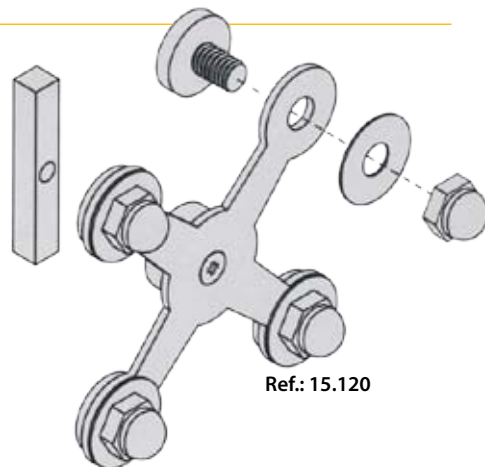


15.119 **Lock 100mm**

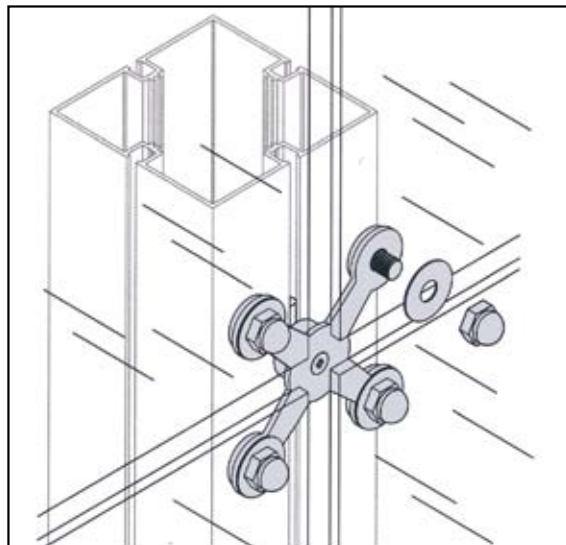
Glass Wall

Glass wall systems are premium quality exhibit pieces that offer infinite versatility to help display your products or services. It's used with 100mm profile aluminium stand.

Material: Steel.

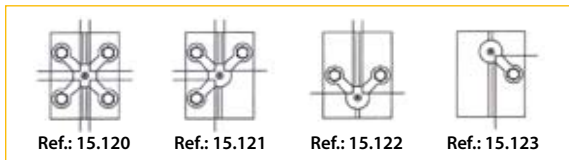
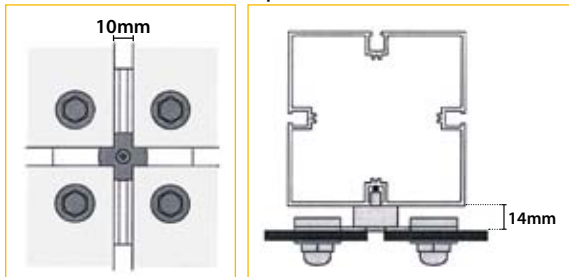


Ref.: 15.120

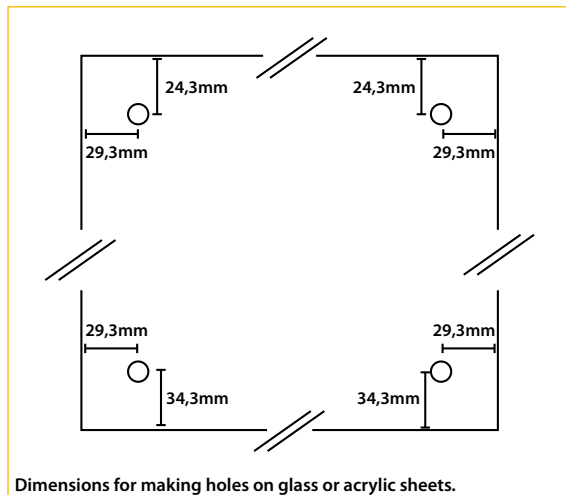


Front View

Top View



15.120	4 Parts	
15.121	3 Parts	
15.122	2 Parts	
15.123	1 Part	



Dimensions for making holes on glass or acrylic sheets.